



K Circular Duct Fans

High Quality radial fan for circular ducts

- Available with AC and EC motors
- Indoor and outdoor installation
- Reliable and airtight
- Mounting bracket included
- Noise and energy optimized impeller

[Find more details in our online catalogue.](#)

Flexibility

The K fans are intended to use for **supply** or **extract** air, designed to be installed in **any position**. This ensures that the fans can be used in a variety of **commercial** and **domestic** applications.

Reliability

The unit's **airtight casing** and corrosion resistance permits **outdoor** and **indoor** use. The combination of reliable casing and motor construction ensures, to minimize the need for maintenance of the fans and allows long **continuous operation**.

Performance

Sound optimized radial impeller together with **high efficient** external rotor motor are designed to ensure high-level performance to **minimize power consumption** and **maximize efficiency**.

Accessories

K fans can be selected together with variety types of **accessories** as fast clamps, heaters, filters, dampers, etc.

Features

Construction

Casing made of **galvanised sheet steel**, corrosion **class C3** is fully **air tight class C** according to EN1751. The fans are equipped with an external **terminal box** with protection class **IP55**.

Impeller

K fans use backward curved **radial** impellers. These are from lightweight, hard-wearing fiberglass reinforced **polyamide**, dynamically **balanced** and paired with corresponding external rotor motors.

Motor

Depending on type, K fans are equipped with **AC** or high efficient **EC** external rotor motors. All motors are suitable for **50Hz** and **60Hz**.

Motor protection

Fans with **AC** motors have **integrated** thermal protection with manual (electrical) reset. Size 100 and 125 has an impedance motor protection.

Fans with **EC** motors have an **integrated** electronic **thermal protection** including **locked-rotor protection** and **soft-start**.

Control

EC motor with **built-in potentiometer** to adjust working point can be also controlled by external **signal 0-10V**.

AC motor can be controlled by **5-step** or **stepless** speed regulator.

Installation

K fans can be installed in **any** position **indoor** and **outdoor** by included **mounting brackets**. All models have a spigot with 25 mm length which is perfectly designed to connect circular duct by **fast clamps preventing vibration** to the duct.

Installation can be combined with filter boxes, sound attenuators, and other mechanical accessories from recommended list.

Technical parameters

Nominal data

Voltage (nominal)	230	V
Frequency	50	Hz
Phases	1~	
Input power	201	W
Input current	0.882	A
Impeller speed	2,520	rpm
Air flow	max 344	L/s
Capacitance of capacitor	5	µF
Temperature of transported air	max 70	°C
Max temperature of transported air, when speed controlled	70	°C

Sound data

Sound pressure level at 3m (20m ² Sabin)	48	dB(A)
---	----	-------

Protection/Classification

Enclosure class, motor	IP44
Insulation class	F

Data according to ErP

ErP ready	Not ErP relevant
-----------	------------------

Dimensions and weights

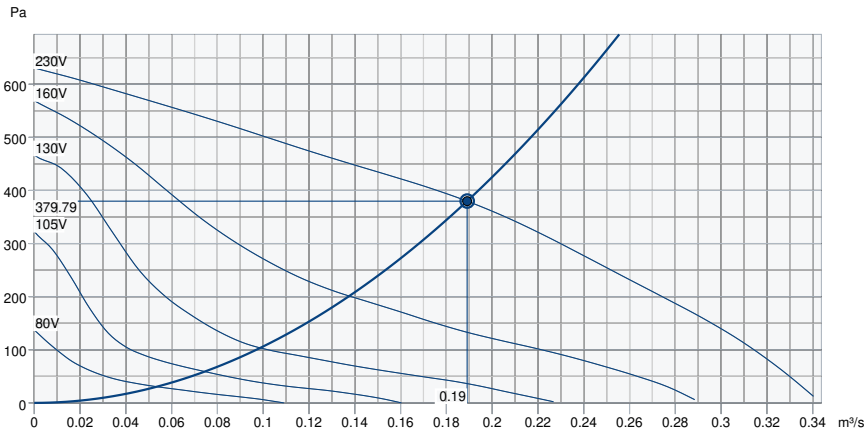
Duct dimension; Circular, inlet	315	mm
Duct dimension; Circular, outlet	315	mm
Weight	5.5	kg

Others

Duct connection type	Circular
Motor type	AC

Performance

Performance curve

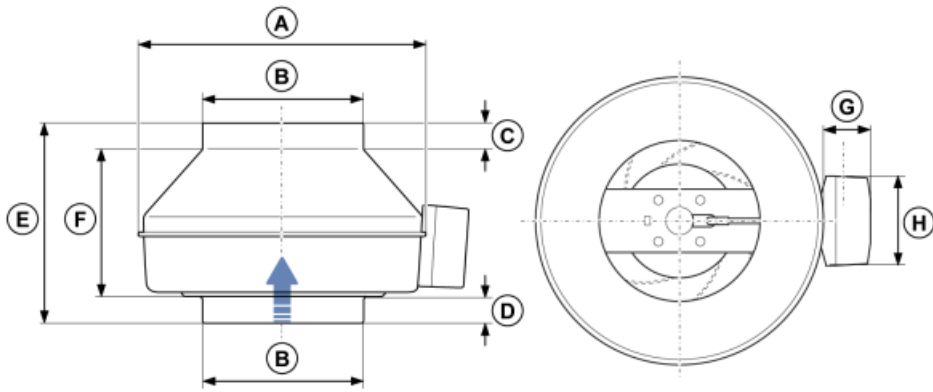


Hydraulic data

Required air flow	0.19 m³/s
Required static pressure	380 Pa
Working air flow	0.19 m³/s
Working static pressure	380 Pa
Air density	1.204 kg/m³
Power	197.8 W
Fan control - RPM	2,521 rpm
Current	0.90 A
SFP	1.046 kW/m³/s
Control voltage	230.0 V
Supply voltage	230 V

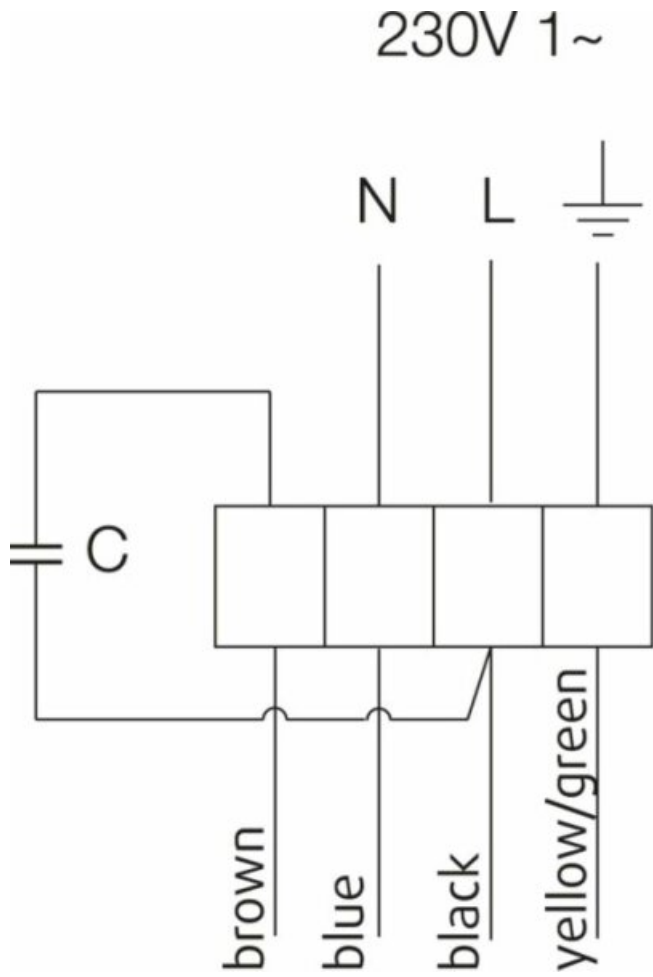
Sound power level		63	125	250	500	1k	2k	4k	8k	Total
Inlet	dB(A)	46	61	65	63	65	63	64	54	71
Outlet	dB(A)	53	59	66	62	65	66	63	55	72
Surrounding	dB(A)	16	25	44	46	44	49	46	32	53
Sound pressure level at 3m (20m² Sabine)	dB(A)	-	-	-	-	-	-	-	-	46
Sound pressure level at 3m free field	dB(A)	-	-	-	-	-	-	-	-	32

Dimension



ØA	ØB	C	D	E	F	G	H
408	314	27	32.5	220	160.5	40	88

Wiring



Accessories

- Frequency converter FRQ5SE-6A (37421)
- REE 2 Speed control (5316)
- RETP 6 Temp/Pressure regulator (32293)
- REV-3POL/03-7,5kW R/Y (33978)
- VKK-315 Back draft damper (1628)
- CO2RT-R-D Transmitter (6993)
- Frequency converter FRQSE-6A (37419)
- Presence detector/IR24-P (6995)
- Safety switch 2-pole grey (210679)
- CB 315-12,0 400V/3 Duct heater (5387)
- CB 315-9,0 400V/3 Duct heater (5375)
- CBMF 315-9,0 400V/3 Duct heater (12354)
- FFR 315 Filter cassette (1779)
- FK 315 Fast clamp (1613)
- RSK-315 Back draft damper (5604)
- VBC 315-3 Water heating batt (9844)
- VK-30 Louvre shutter (5641)
- RE 1,5 Speed control (5000)
- REPT 6 Digital regulator (5698)
- REU 1.5 Speed control (5004)
- SG 315 Protection guard (5611)
- CB 315-6,0 400V/2 Duct heater (5374)
- DTV500A (96807)
- HR1 Room Humidistat (215150)
- RT 0-30 Room Thermostat (5151)
- T 120 Timer (5165)
- CB 315-3,0 230V/1 Duct heater (5386)
- CBM 315-9,0 400V/3 Duct heater (5485)
- CWK 315-3-2,5 Duct cooler, circ (30025)
- FGR 315 Filter cassette (1818)
- LDC 315-900 Silencer (5197)
- VBC 315-2 Water heating batt (5461)
- VBF 315 Water heating battery (1734)

Documents

- 132780_FANS_INSTRUCTIONS_OUTSIDE_EU_A002.PDF
- COMMISSIONING_RECORD_FANS__EN.PDF
- K fan mounting.wmv